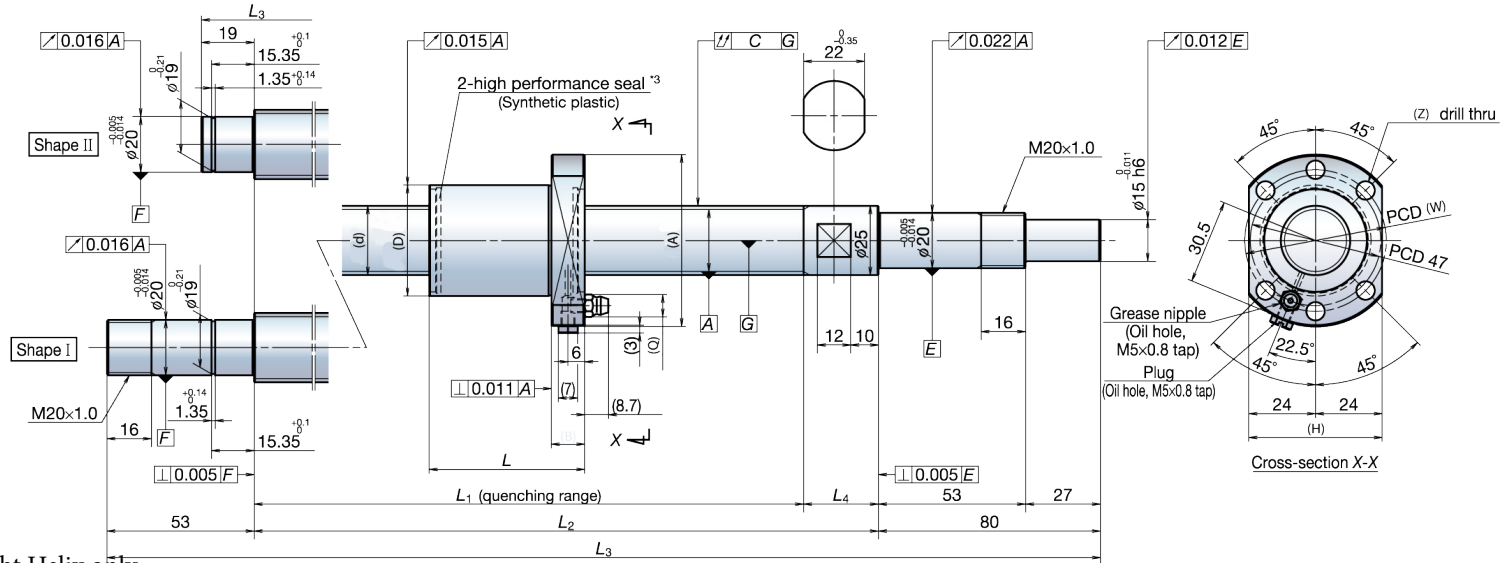


NSK-CFA25 - Ball Screws

L011181

DIMENSIONS



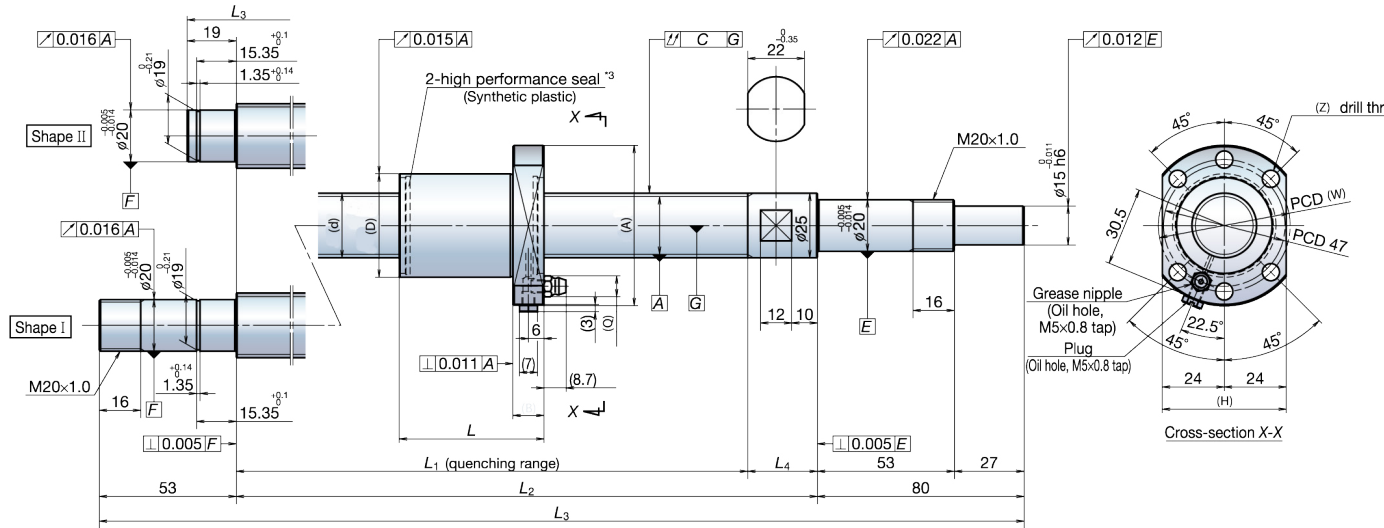
*Available in Right Helix only.

SPECIFICATIONS

Item	Screw Dimensions (mm)			Nut Dimensions (mm)								Force Dimensions (Kgf)		Permissible Rotational Speed (min ⁻¹)	Shaft Runout C	Stroke		Left Shaft End	
	Screw Length	d	l	D	A	B	L	W	H	Y	Z	Q	Ca			Coa	Fixed-Simple		Nominal
BSC-NSK-CFAR-025-05-GC5-P1-349	349	25	5	40	62	12	32	51	48	8	6.6	8.1	995	2407	5000	0.035	150	191	
BSC-NSK-CFAR-025-05-GC5-P1-399	399	25	5	40	62	12	32	51	48	8	6.6	8.1	995	2407	5000	0.035	200	241	
BSC-NSK-CFAR-025-05-GC5-P1-499	499	25	5	40	62	12	32	51	48	8	6.6	8.1	995	2407	5000	0.040	300	341	
BSC-NSK-CFAR-025-05-GC5-P1-599	599	25	5	40	62	12	32	51	48	8	6.6	8.1	995	2407	5000	0.045	400	441	Shape II
BSC-NSK-CFAR-025-05-GC5-P1-699	699	25	5	40	62	12	32	51	48	8	6.6	8.1	995	2407	5000	0.055	500	541	
BSC-NSK-CFAR-025-05-GC5-P1-899	899	25	5	40	62	12	32	51	48	8	6.6	8.1	995	2407	5000	0.065	700	741	
BSC-NSK-CFAR-025-05-GC5-P1-999	999	25	5	40	62	12	32	51	48	8	6.6	8.1	995	2407	4100	0.065	800	841	
BSC-NSK-CFAR-025-05-GC5-P1-1233	1233	25	5	40	62	12	32	51	48	8	6.6	8.1	995	2407	2700	0.080	1000	1041	Shape I
BSC-NSK-CFAR-025-10-GC5-P1-549	549	25	10	40	62	12	56	51	48	8	6.6	8.1	1305	3294	5000	0.045	300	367	
BSC-NSK-CFAR-025-10-GC5-P1-649	649	25	10	40	62	12	56	51	48	8	6.6	8.1	1305	3294	5000	0.055	400	467	
BSC-NSK-CFAR-025-10-GC5-P1-749	749	25	10	40	62	12	56	51	48	8	6.6	8.1	1305	3294	5000	0.055	500	567	
BSC-NSK-CFAR-025-10-GC5-P1-849	849	25	10	40	62	12	56	51	48	8	6.6	8.1	1305	3294	5000	0.065	600	667	Shape II
BSC-NSK-CFAR-025-10-GC5-P1-949	949	25	10	40	62	12	56	51	48	8	6.6	8.1	1305	3294	5000	0.065	700	767	
BSC-NSK-CFAR-025-10-GC5-P1-1049	1049	25	10	40	62	12	56	51	48	8	6.6	8.1	1305	3294	5000	0.080	800	867	
BSC-NSK-CFAR-025-10-GC5-P1-1283	1283	25	10	40	62	12	56	51	48	8	6.6	8.1	1305	3294	2500	0.100	1000	1067	
BSC-NSK-CFAR-025-10-GC5-P1-1883	1883	25	10	40	62	12	56	51	48	8	6.6	8.1	1305	3294	1000	0.130	1600	1667	Shape I

NSK-CFA25 - Ball Screws

DIMENSIONS



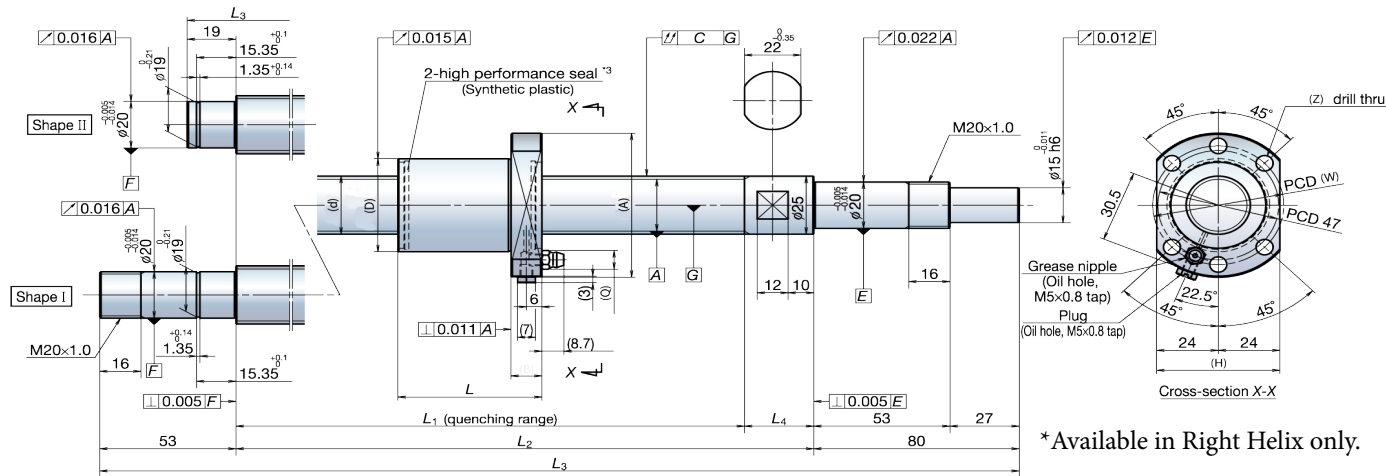
* Available in Right Helix only.

* Available in Shape I or II

SPECIFICATIONS

Item	Screw Dimensions (mm)			Nut Dimensions (mm)									Force Dimensions (Kgf)		Permissible Rotational Speed (min ⁻¹)	Shaft Runout C	Stroke		Left Shaft End
	Screw Length	d	l	D	A	B	L	W	H	Y	Z	Q	Ca	Coa			Fixed-Simple	Nominal	
BSC-NSK-CFAR-025-20-GC5-P1-729	729	25	20	40	62	12	54	51	48	8	6.6	8.1	669	1489	5000	0.055	500	550	
BSC-NSK-CFAR-025-20-GC5-P1-829	829	25	20	40	62	12	54	51	48	8	6.6	8.1	669	1489	5000	0.065	600	650	
BSC-NSK-CFAR-025-20-GC5-P1-929	929	25	20	40	62	12	54	51	48	8	6.6	8.1	669	1489	4800	0.065	700	750	Shape II
BSC-NSK-CFAR-025-20-GC5-P1-1029	1029	25	20	40	62	12	54	51	48	8	6.6	8.1	669	1489	3800	0.080	800	850	
BSC-NSK-CFAR-025-20-GC5-P1-1263	1263	25	20	40	62	12	54	51	48	8	6.6	8.1	669	1489	2600	0.100	1000	1050	
BSC-NSK-CFAR-025-20-GC5-P1-1463	1463	25	20	40	62	12	54	51	48	8	6.6	8.1	669	1489	1800	0.100	1200	1250	
BSC-NSK-CFAR-025-20-GC5-P1-1863	1863	25	20	40	62	12	54	51	48	8	6.6	8.1	669	1489	1100	0.130	1600	1650	Shape I
BSC-NSK-CFAR-025-20-GC5-P1-2263	2263	25	20	40	62	12	54	51	48	8	6.6	8.1	669	1489	700	0.170	2000	2050	
BSC-NSK-CFAR-025-25-GC5-P1-779	779	25	25	40	62	12	63	51	48	8	6.6	8.1	669	1489	5000	0.055	500	587	
BSC-NSK-CFAR-025-25-GC5-P1-879	879	25	25	40	62	12	63	51	48	8	6.6	8.1	669	1489	5000	0.065	600	687	
BSC-NSK-CFAR-025-25-GC5-P1-979	979	25	25	40	62	12	63	51	48	8	6.6	8.1	669	1489	4300	0.065	700	787	Shape II
BSC-NSK-CFAR-025-25-GC5-P1-1079	1079	25	25	40	62	12	63	51	48	8	6.6	8.1	669	1489	3400	0.080	800	887	
BSC-NSK-CFAR-025-25-GC5-P1-1313	1313	25	25	40	62	12	63	51	48	8	6.6	8.1	669	1489	2300	0.100	1000	1087	
BSC-NSK-CFAR-025-25-GC5-P1-1513	1513	25	25	40	62	12	63	51	48	8	6.6	8.1	669	1489	1700	0.100	1200	1287	
BSC-NSK-CFAR-025-25-GC5-P1-1913	1913	25	25	40	62	12	63	51	48	8	6.6	8.1	669	1489	1000	0.130	1600	1687	Shape I
BSC-NSK-CFAR-025-25-GC5-P1-2313	2313	25	25	40	62	12	63	51	48	8	6.6	8.1	669	1489	700	0.170	2000	2087	

DIMENSIONS



SPECIFICATIONS

Item	Screw Dimensions (mm)			Nut Dimensions (mm)								Force Dimensions (Kgf)		Permissible Rotational Speed (min ⁻¹)	Shaft Runout C	Stroke		Left Shaft End	
	Screw Length	d	l	D	A	B	L	W	H	Y	Z	Q	Ca			Coa	Fixed-Simple		Nominal
BSC-NSK-CFAR-25-30-GC5-P1-779	779	25	30	40	62	12	54	51	48	8	6.6	8.1	669	1489	5000	0.055	500	576	Shape II
BSC-NSK-CFAR-25-30-GC5-P1-879	879	25	30	40	62	12	54	51	48	8	6.6	8.1			5000	0.065	600	676	
BSC-NSK-CFAR-25-30-GC5-P1-979	979	25	30	40	62	12	54	51	48	8	6.6	8.1			4300	0.065	700	776	
BSC-NSK-CFAR-25-30-GC5-P1-1079	1079	25	30	40	62	12	54	51	48	8	6.6	8.1	669	1489	3400	0.080	800	876	Shape II
BSC-NSK-CFAR-25-30-GC5-P1-1313	1313	25	30	40	62	12	54	51	48	8	6.6	8.1			2300	0.100	1000	1076	
BSC-NSK-CFAR-25-30-GC5-P1-1513	1513	25	30	40	62	12	54	51	48	8	6.6	8.1			1700	0.100	1200	1276	
BSC-NSK-CFAR-25-30-GC5-P1-1913	1913	25	30	40	62	12	54	51	48	8	6.6	8.1	669	1489	1000	0.130	1600	1676	Shape I
BSC-NSK-CFAR-25-30-GC5-P1-2313	2313	25	30	40	62	12	54	51	48	8	6.6	8.1			700	0.170	2000	2076	
BSC-NSK-CFAR-25-50-GC5-P1-829	829	25	50	40	62	12	63	51	48	8	6.6	8.1			5000	0.055	500	576	
BSC-NSK-CFAR-25-50-GC5-P1-929	929	25	50	40	62	12	63	51	48	8	6.6	8.1	4800	0.065	600	676			
BSC-NSK-CFAR-25-50-GC5-P1-1029	1029	25	50	40	62	12	63	51	48	8	6.6	8.1	3800	0.065	700	776			
BSC-NSK-CFAR-25-50-GC5-P1-1129	1129	25	50	40	62	12	63	51	48	8	6.6	8.1	669	1489	3100	0.080	800	876	Shape II
BSC-NSK-CFAR-25-50-GC5-P1-1363	1363	25	50	40	62	12	63	51	48	8	6.6	8.1			2200	0.100	1000	1076	
BSC-NSK-CFAR-25-50-GC5-P1-1563	1563	25	50	40	62	12	63	51	48	8	6.6	8.1			1600	0.100	1200	1276	
BSC-NSK-CFAR-25-50-GC5-P1-1963	1963	25	50	40	62	12	63	51	48	8	6.6	8.1	669	1489	900	0.130	1600	1676	Shape I
BSC-NSK-CFAR-25-50-GC5-P1-2363	2363	25	50	40	62	12	63	51	48	8	6.6	8.1			600	0.170	2000	2076	

*PLEASE NOTE - Each standard ball screw includes **one** nut. Additional nuts will be considered a custom request, and will require creation of a special part number.